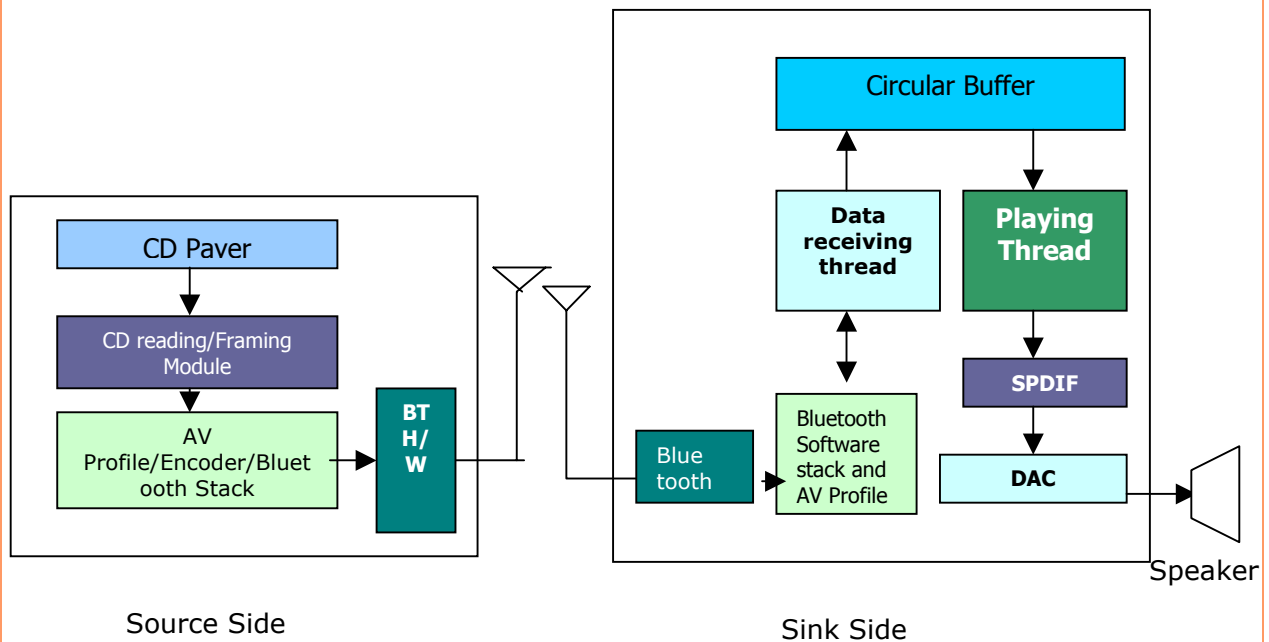


## Embedded Solution for Bluetooth CD Player

The objective of this project was to develop an embedded solution for transferring and receiving CD quality audio data over a Bluetooth connection. The diagram below shows the architecture of the network. CD outputs are stereo channels. -i.e. two independent audio channels. These are to be played on speaker 1 and speaker 2 separately.

### Source Side Implementation

Main functionalities of source side are Implementing mechanisms for retrieving data from the CD, signaling and establish a channel for transmitting audio, framing, and sending the data to the receiver through AV profile APIs.



### Sink Side Implementation

Main functionalities of sink side are signaling support for channel establishment, receive the data using AV profile APIs and write it in a circular buffer and playing the data from the circular buffer.

### Development Environment and Tool

Operating system: Nucleus

Hardware ARM7 P3 Encoder/Decoder: Micronas MAS3507D MP3 codec